

**STEEL
CORE**

Love It  Lock It

**SECURITY SPA
STRAPS** ASSEMBLY
CUT-RESISTANT LOCKING SPA STRAPS

**STEEL
CORE**
Love It  Lock It

Set of 2
Adjustable to 13ft / 3.9 meters

SPA CATALOG 2026

**Security isn't expensive,
it's priceless.**

CONTENTS

- 01** Our Story
- 02** Our Reach
- 03** Our Mission
- 04** Product Features
- 05** Spa Security Strap
- 09** Instructional Guide
- 10** Lock it up: Enhancing Hot Tub Security
- 11** If a Child is Missing, Check the Water First.
- 13** Trusted by Brands



OUR STORY

The founder of Steelcore Inc., a surfer, was tired of seeing his friends' boards get stolen. About twenty years ago, he created a lockable, cut-resistant strap. Since then, this easy-to-use product has aided an array of industries like spas, motorcycles, cycling, RV/off-road, camping, marine, hardware, utility, and much more.

The company continues to expand its reach and now has three fulfillment centers: in the United States, Australia, and Canada. Steelcore has rapidly widened its business presence with many more new dealers worldwide and the number of satisfied customers is growing day by day.

OUR REACH



FULFILLMENT CENTERS

- Australia
- Canada
- United States



DEALERS AND DISTRIBUTORS

- Argentina
- Austria
- Bulgaria
- China
- Czech Republic
- France
- Germany
- India
- Italy
- Japan
- Malaysia
- Mexico
- New Zealand
- Oman
- Philippines
- Romania
- Singapore
- Switzerland
- United Kingdom
- Vietnam

OUR MISSION

"If you love it, lock it." our motto highlights how we typically feel and act when it comes to our belongings. Thieves are just lurking around the corner, if you value something, you will keep it as safe and secure as possible. With this in mind, it inspired us to create solutions that allow our customers to engage in both indoor and outdoor activities with a sense of security.



-
- ✓ **KEY LOCKING**
 - ✓ **WATER RESISTANT**
 - ✓ **AIRCRAFT GRADE**

PRODUCT FEATURES

THEFT RESISTANT

Steelcore straps are ideal for securing your assets, including bikes, motorcycles, surfboards, coolers, sporting goods, tools and many more.

QUALITY

Steelcore straps have a braided 7/19 galvanized steel cable at the center covered in a cut-resistant, heavy weight webbing creating a proprietary blend of steel and fibers. The straps have an aircraft-grade aluminum buckle assemble. Our locks are custom made using a double-butted key and pick resistant design.

INNOVATION

Steelcore is committed to being on the cutting edge of innovation and product development. We will continue to explore opportunities to improve our products and create value for our customers.

Spa Straps Assembly 13ft - Pair



MSRP 139.99 USD

Weight	3.6lbs
Dimensions	9 x 9 x 4



Inclusions:

1 x instruction guide

2 x 13ft straps

2 x keys

2 x adjustable ladder buckles

8 x stainless steel screws

4 x stainless D ring attachment
brackets

2 x buckle covers

4 x edge protectors

Spa Screws



MSRP 5 USD

Keys Set of 2

MSRP 10 USD



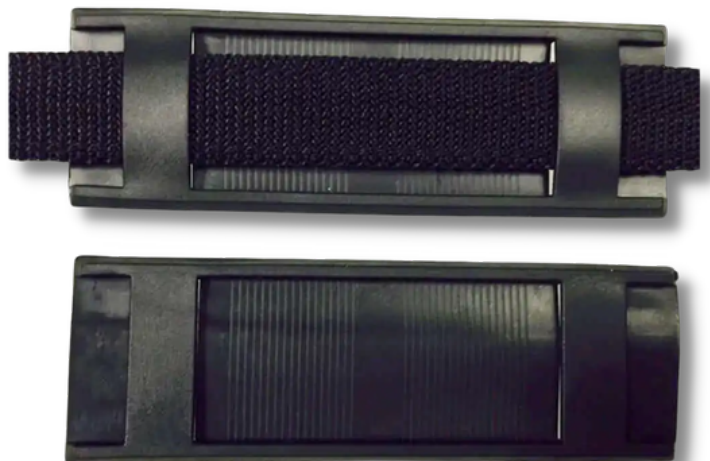
Buckle Cover



MSRP 5 USD

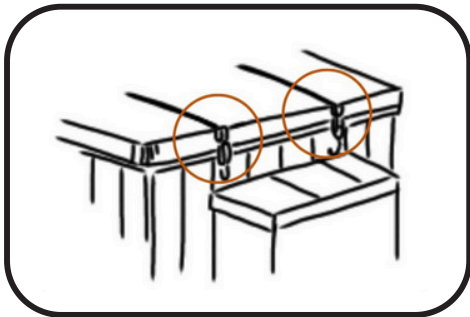
Universal Edge Protectors

MSRP 5 USD

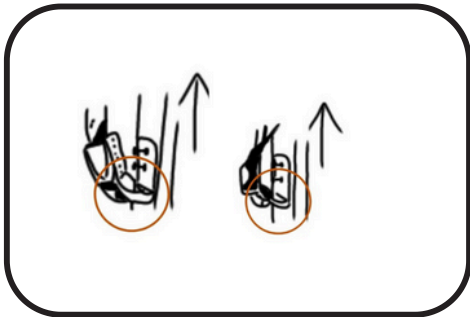




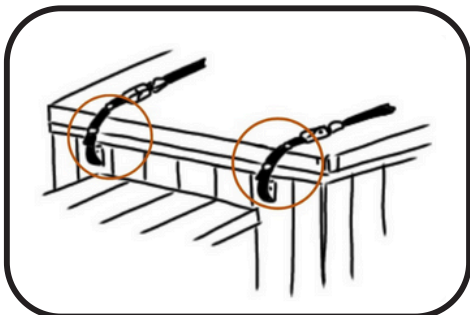
SPA INSTRUCTIONAL GUIDE



1. Place straps over cover.



2. Attach D rings to side using screws provided.



3. Adjust ladder buckle to ensure buckle / lock assembly is in the desired position depending on your preference.

LOCK IT UP: ENHANCING HOT TUB SECURITY

Read full story here: <https://sparetailor.com/if-you-love-it-lock-it/>

Several industries have benefited from this simple-to-use product, but hot tubs have benefited the most recently.

Even though most covers currently come with a keyed plastic lock, he claims that these locks are very simple to open. *"UV deterioration causes them to break off easily or just disintegrate. They really offer no protection from unwanted access or even wind, for that matter."* **Steelcore** straps are the solution to this issue.

Olympic Hot Tub in the greater Seattle area began selling **Steelcore** straps. Don Riling, vice president of Olympic, explains that the straps span the two halves of the hot tub cover and secure it to the sides with locking buckles. *"Once the buckles are fastened, only the owner of the hot tub is able to unlock them. The mesh straps have steel cables implanted in them to prevent somebody from just cutting them to get into the tub."*

Hot tub use is frequently subject to an additional payment from rental property owners due to maintenance expenses. Renters refuse to pay because they are aware that they can quickly remove the hot tub covers, leaving little to no proof that it has ever been used. But when one rental company used **Steelcore** straps, they reported that it was astounding how many visitors returned to the front desk to say they had changed their minds and wanted to pay to use the hot tub.



The need for **Steelcore** straps varies by hot tub owner. They are essential for the safety of families with young children. Some clients have hot tubs at a vacation home or rental property, and they are upset by the volume of "poaching," or unauthorized use of their hot tubs. The straps prevent storm-related cover loss and prevent animals like raccoons from removing the cover to get the water.

IF A CHILD IS MISSING, CHECK THE WATER FIRST

Hot tubs or "home spa" is an awesome way to relax, de-stress, and it'll be an exceptional feature to have for backyard parties with family and friends but they create risks to children, pets and unwanted bathers.



"Children drown without a sound."

Unfortunately, children are very vulnerable around water. Based on U.S. Consumer Product Safety, it shows that a child could drown in as little as two inches of water.

Same goes with pet lovers, as we treat them like our own children and we don't want them to drown with just a snap even though most of them can float in the water but not all.

As for unwanted bathers, of course we do not want random stranger going into our tub, we don't know what germs they carry or they might damage our most treasured spa. Also, don't want to be liable if a stranger gets hurt in your hot tub or spa.

It only takes a matter of seconds for an accident to transform into a tragedy if you are not cautious.

We know that we are at home all the time and cannot be within touching distance with our “home spa” or hot tub 24/7. On a daily basis, parents drive to work, take their kids to school, or run errands. So the question is how can we have peace of mind while we’re away?

Secure your hot tubs with our spa security straps. Enjoy a worry-free, and hassle-free relaxation, as we keep your spas safe when unattended.

Safety isn't expensive, its priceless



Steelcore is offering a security solution for your spa. Trusted brands already use our straps such as Arctic Spas, Essentials, Sundance Spas, Bullfrog Spas, Spa Store, and more brands.

In addition with that, our brand won Disney's iParenting Media Award in Anaheim, California for Spa Safety and one of the reviewers explains:

"This product is sturdy and well designed. We were able to put it to use in just minutes after getting it out of the packaging. The concept is ideal; I don't want to worry about my kids playing near the spa."

Awareness of a potential accident is the best protection we can offer since your peace of mind is our priority.

TRUSTED BY BRANDS



Sundance Spas

bullfrog[®]
spas



Champagne Spas
The Leader In Hydrotherapy

PARKLANE
pool & spa



Mainely Tubs
relax with us
100% Employee Owned

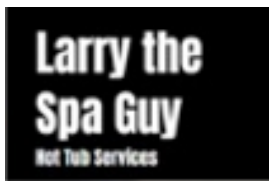


Great Bay
Spa & Sauna



HOT TUBS NORTHWEST





Love It  Lock It



All rights reserved
2026



Scan QR Code