

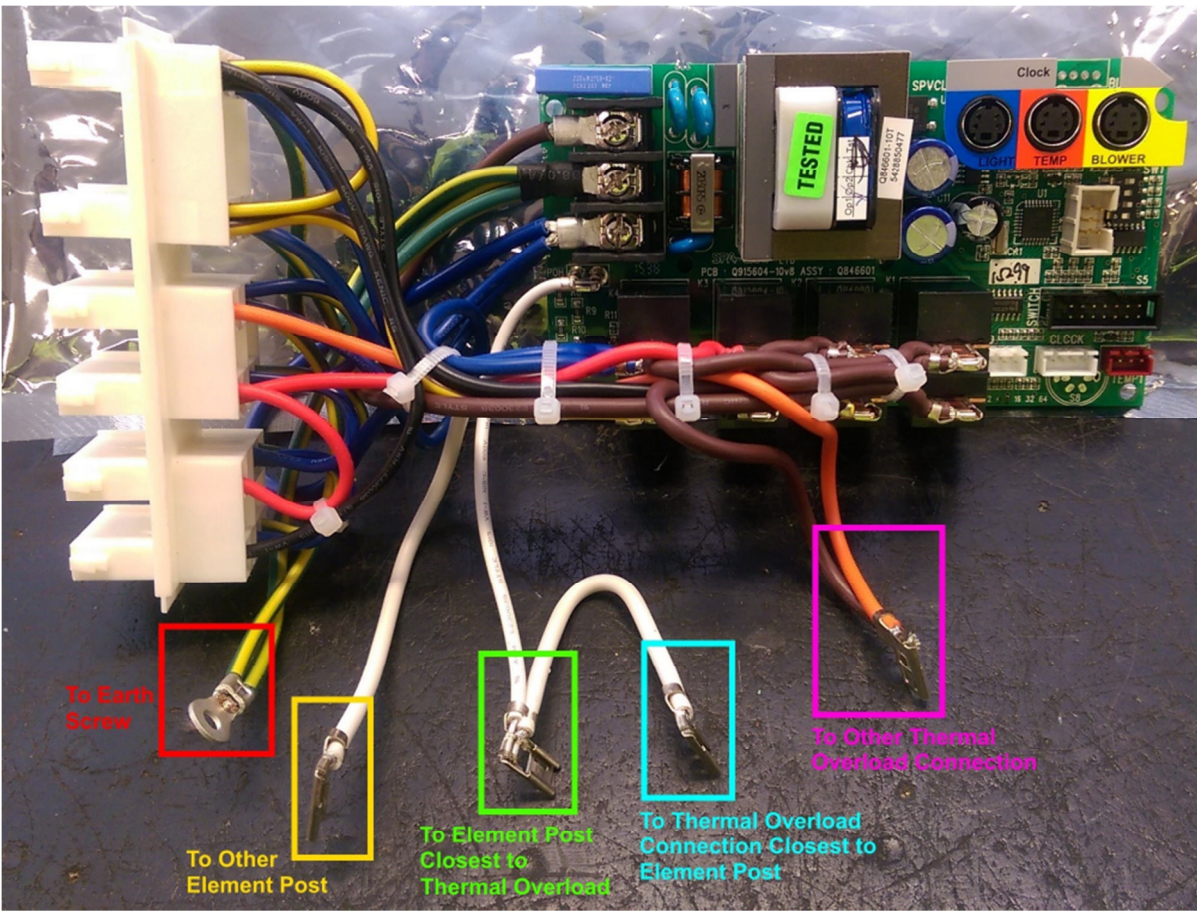
SP601 circuit board up to V6 with pre Nov 2015 wiring loom



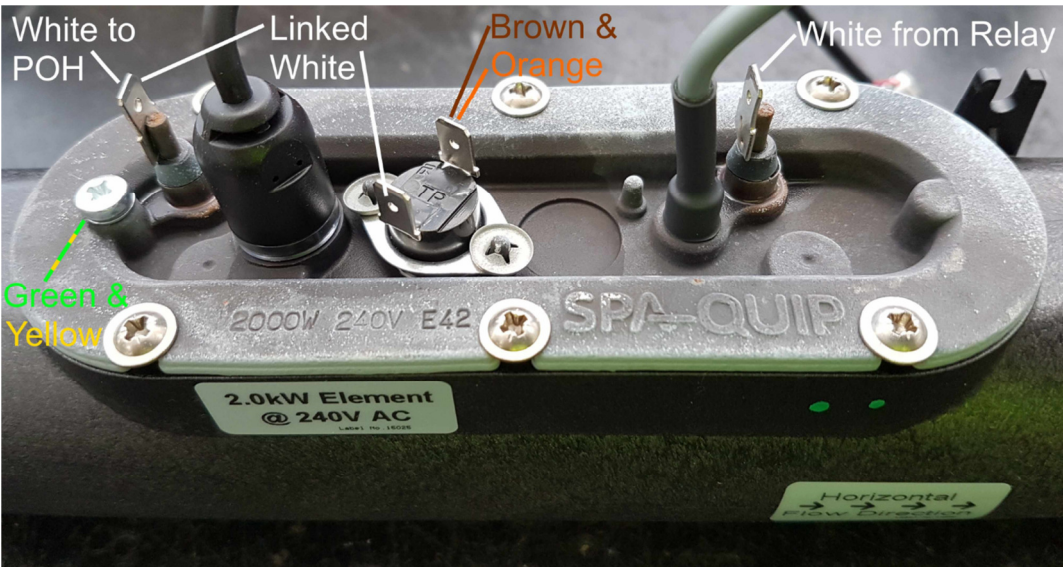
Incoloy Heater Element pre Nov 2015 wiring connections



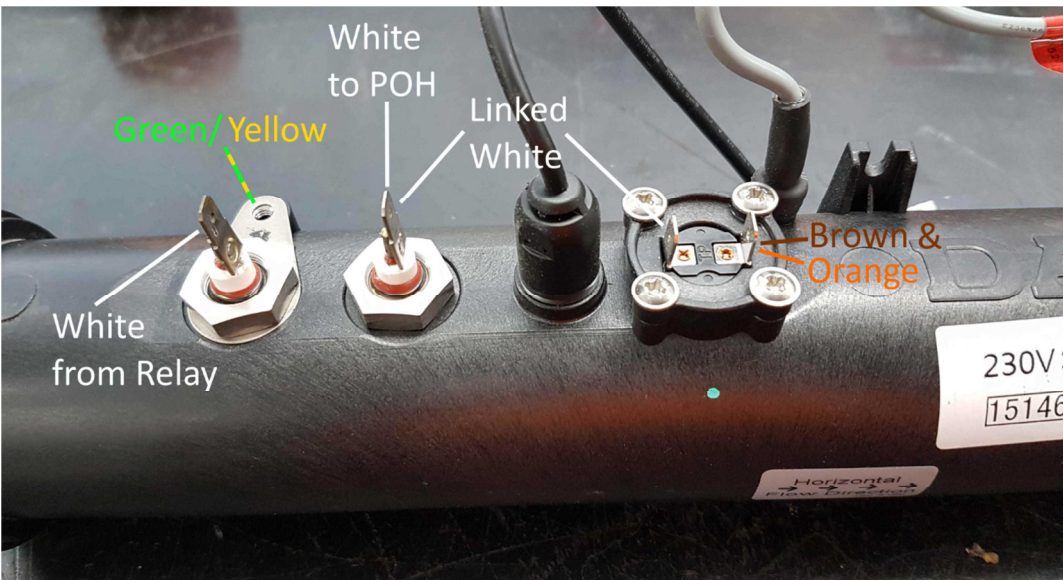
Titanium Heater Element pre Nov 2015 wiring connections



SP601 circuit board V8 with post Nov 2015 wiring loom



Incoloy Heater Element post Nov 2015 wiring connections



Titanium Heater Element post Nov 2015 wiring connections